



**DASMA**  
Door & Access Systems  
Manufacturers Association  
International

OPERATOR & ELECTRONICS DIVISION

# TECHNICAL DATA SHEET

## #362

1300 Sumner Avenue  
Cleveland, Ohio 44115-2851  
Phone: 216-241-7333 • Fax: 216-241-0105  
E-mail: [dasma@dasma.com](mailto:dasma@dasma.com)

## Garage Door Operator Pre-Wiring Diagram

### Introduction

During construction of a new garage, it is the intention of many building owners to have a garage door operator installed as part of the new construction activities. This affords the builder or contractor the opportunity to “pre-wire” for the garage door operator, including concealing the wiring if requested. DASMA, in cooperation with the International Door Association (IDA), has created a recommended method for providing wiring taps for garage door operators during new construction of a garage. The information contained in this Technical Data Sheet is intended to be distributed to general contractors and builders, who can coordinate pre-wiring activities with electrical contractors and subcontractors.

### Compliance With The NEC

It should be noted that placement of wiring should comply with the applicable provisions of the National Electrical Code (NEC), and/or state and/or local requirements, that govern the project being undertaken.

### Important NEC Information

Do not run any low voltage control wires close to the 120-volt power line. Do not run any wires through the same holes as the 120-volt power line in studs or cross ties. Either of these conditions will not comply with the NEC and will interfere with control of the garage door operator.

### Instructions

You may refer to either the Header-Mounted Operator Detail shown in Figure 1 (which includes guidelines for operators such as jackshaft operators) or the Rail-Mounted Operator Detail shown in Figure 2 (which includes guidelines for operators commonly installed in residential applications), located at the end of this Technical Data Sheet.

---

**Note: Technical Data Sheets are information tools only and should not be used as substitutes for instructions from individual manufacturers. Always consult with individual manufacturers for specific recommendations for their products and check the applicable local regulations.**

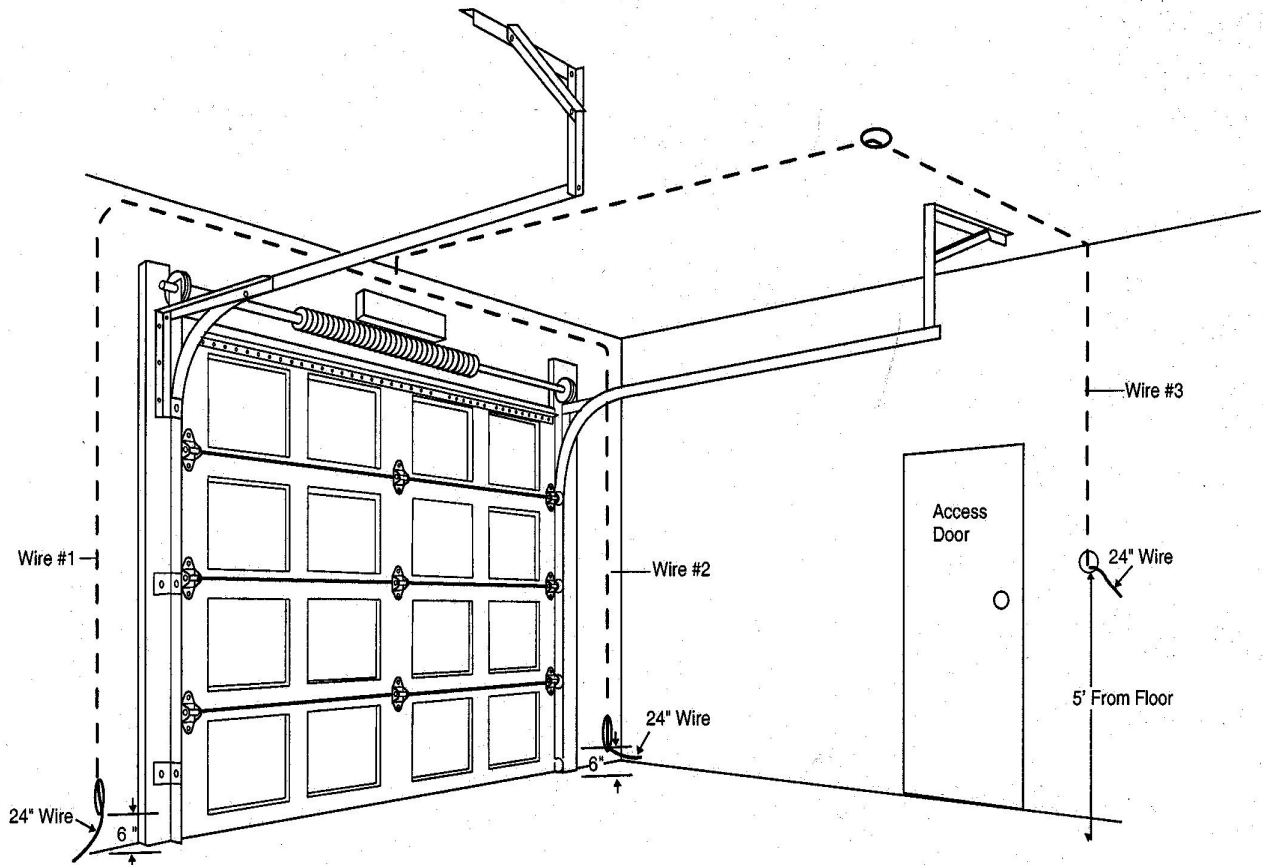
This Technical Data Sheet was prepared by the members of DASMA's Operator & Electronics Division Technical Committee. DASMA is a trade association comprising manufacturers of rolling doors, fire doors, grilles, counter shutters, sheet doors, and related products; upward-acting residential and commercial garage doors; operating devices for garage doors and gates, sensing devices, and electronic remote controls for garage doors and gate operators; as well as companies that manufacture or supply either raw materials or significant components used in the manufacture and installation of the Active Members' products.

- You will need 3 lengths of 4 conductor color coded minimum 22 gauge bell wire (phone wire) suitable for Class 2 installation. In Canada, this wire must be CSA certified.
- Refer to garage door operator manufacturer's instructions to find specific guidelines governing placement of wiring.
- Wire #1 and Wire #2: These wires connect the garage door operator power unit to two photoelectric sensors. For proper operation, photoelectric sensors must not be installed higher than 6 inches above the floor. Wiring must accommodate this installation requirement. Position wires #1 and #2 at about 6 inches from the floor, leaving 24 inches of extra wire. Run wire up each side of the garage door opening, and then back to a location approximately 10'-6" (11'-6" for 8' high doors) from, and centered with respect to, the opening, leaving 24 inches or more (depending on ceiling height) at the power unit location.
- Wire #3: This wire connects the power unit to the wall push button. Note that the wall push button must be installed away from any moving parts and at a minimum height of 5 feet above the garage floor to be out of the reach of children. Run wire from expected push button location to where Wire #1 and Wire #2 are located, leaving 24 inches of extra wire at both ends.
- The 120-volt duplex electrical outlet must be adequately separated from the low voltage wiring, located approximately 10'-6" (11'-6" for 8' high doors) from, and centered with respect to, the garage door opening, to power the garage door operator. The circuit must be grounded.

---

**Note: Technical Data Sheets are information tools only and should not be used as substitutes for instructions from individual manufacturers. Always consult with individual manufacturers for specific recommendations for their products and check the applicable local regulations.**

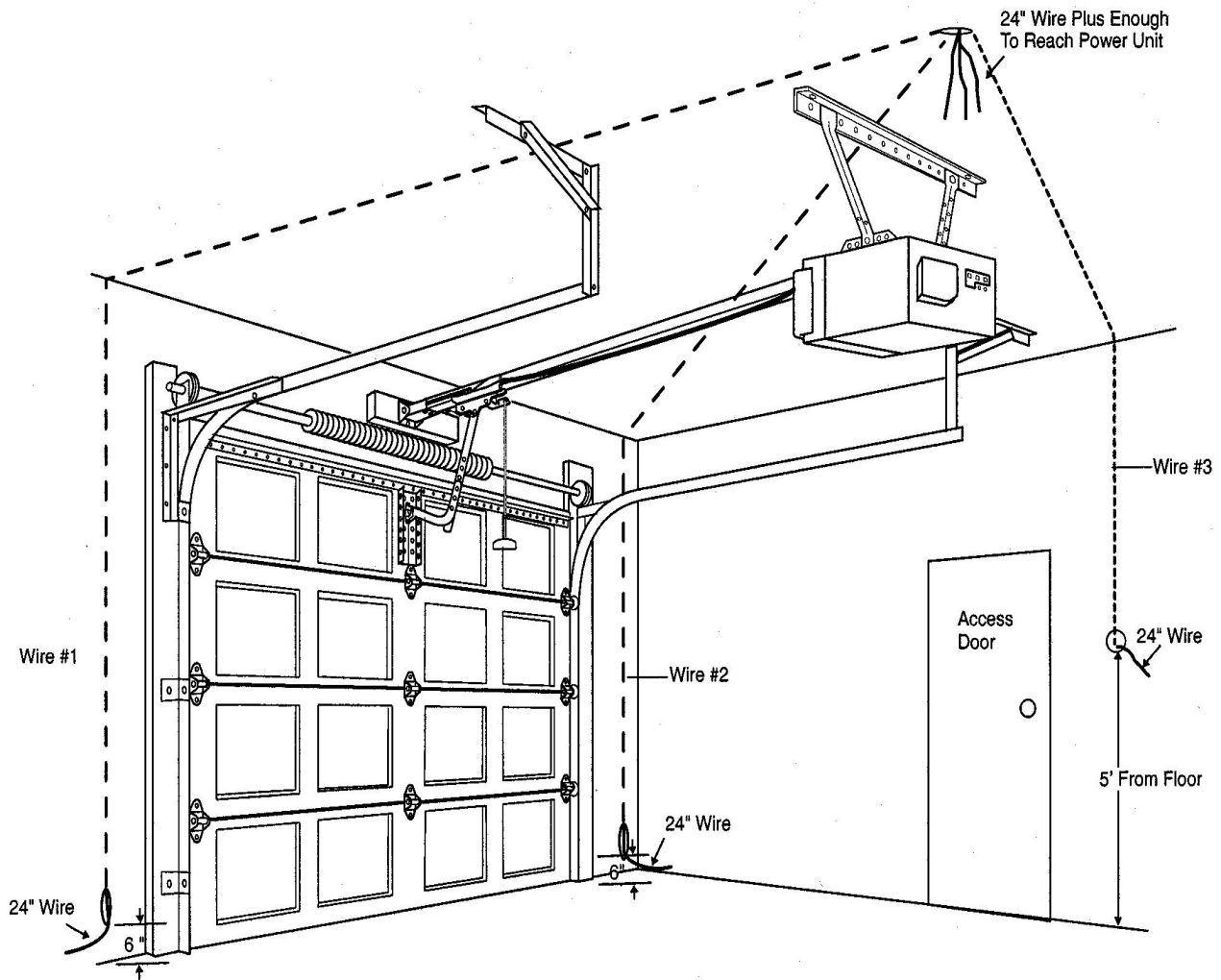
This Technical Data Sheet was prepared by the members of DASMA's Operator & Electronics Division Technical Committee. DASMA is a trade association comprising manufacturers of rolling doors, fire doors, grilles, counter shutters, sheet doors, and related products; upward-acting residential and commercial garage doors; operating devices for garage doors and gates, sensing devices, and electronic remote controls for garage doors and gate operators; as well as companies that manufacture or supply either raw materials or significant components used in the manufacture and installation of the Active Members' products.



**Figure 1**  
**Header-Mounted Operator Detail**

**Note: Technical Data Sheets are information tools only and should not be used as substitutes for instructions from individual manufacturers. Always consult with individual manufacturers for specific recommendations for their products and check the applicable local regulations.**

This Technical Data Sheet was prepared by the members of DASMA's Operator & Electronics Division Technical Committee. DASMA is a trade association comprising manufacturers of rolling doors, fire doors, grilles, counter shutters, sheet doors, and related products; upward-acting residential and commercial garage doors; operating devices for garage doors and gates, sensing devices, and electronic remote controls for garage doors and gate operators; as well as companies that manufacture or supply either raw materials or significant components used in the manufacture and installation of the Active Members' products.



**Figure 2**  
**Rail-Mounted Operator Detail**

**Note: Technical Data Sheets are information tools only and should not be used as substitutes for instructions from individual manufacturers. Always consult with individual manufacturers for specific recommendations for their products and check the applicable local regulations.**

This Technical Data Sheet was prepared by the members of DASMA's Operator & Electronics Division Technical Committee. DASMA is a trade association comprising manufacturers of rolling doors, fire doors, grilles, counter shutters, sheet doors, and related products; upward-acting residential and commercial garage doors; operating devices for garage doors and gates, sensing devices, and electronic remote controls for garage doors and gate operators; as well as companies that manufacture or supply either raw materials or significant components used in the manufacture and installation of the Active Members' products.